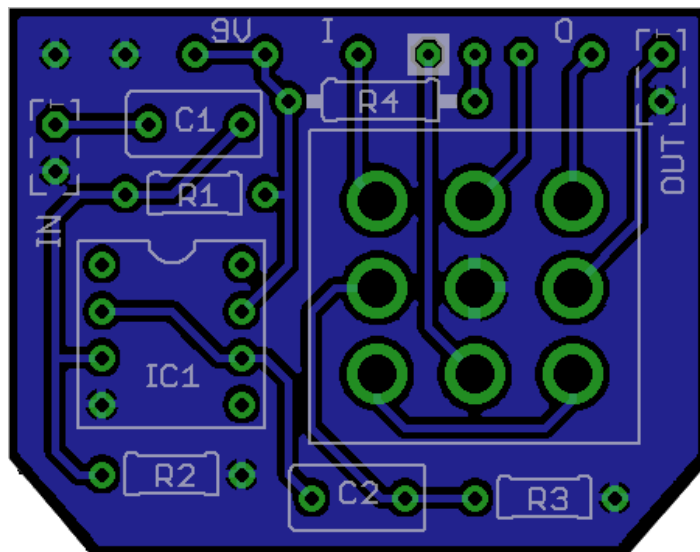


3PDT BUFFER v2

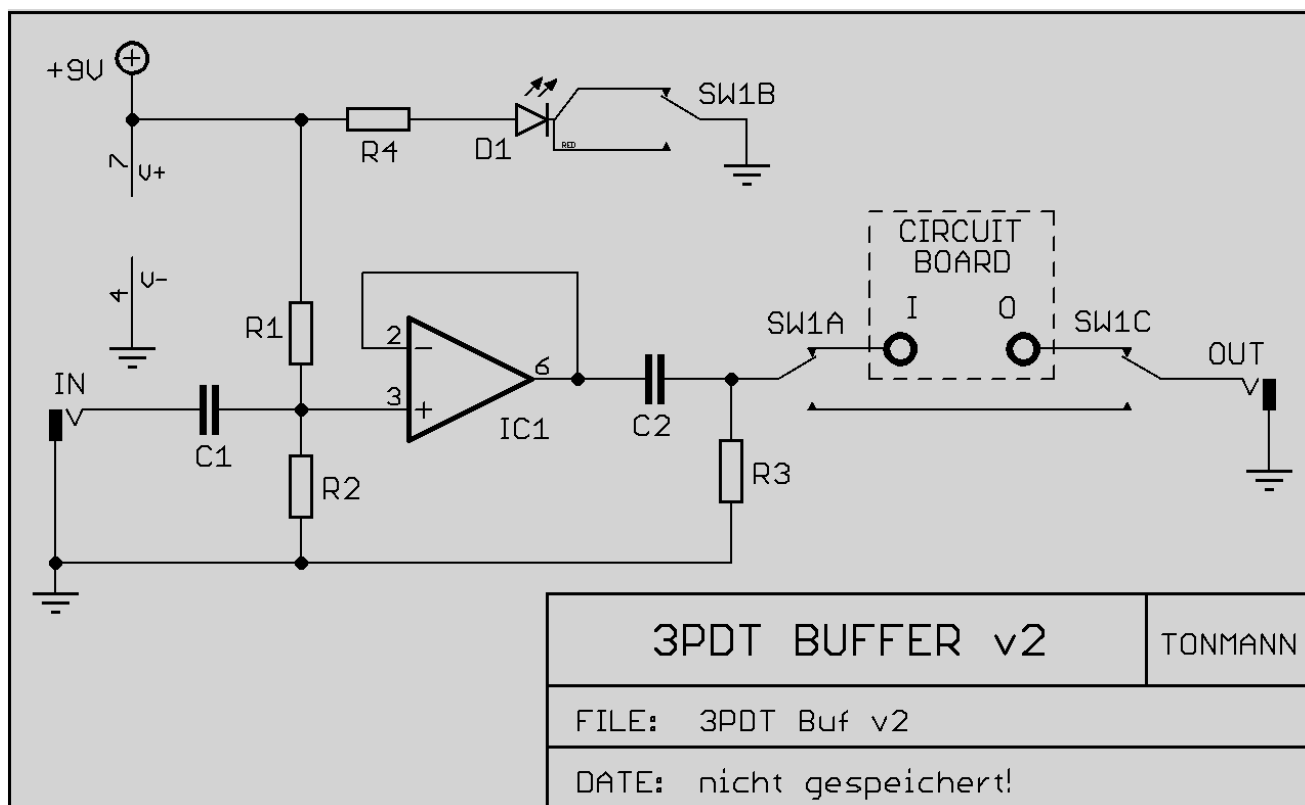
Board Dimensions (W x H) 1.5" x 1.18" ca. 38.1 mm x 29.85mm



The above image can be downloaded from

<http://i647.photobucket.com/albums/uu198/tonmann/GuitarPCB%20Boards/3PDTBufferLayout.png>

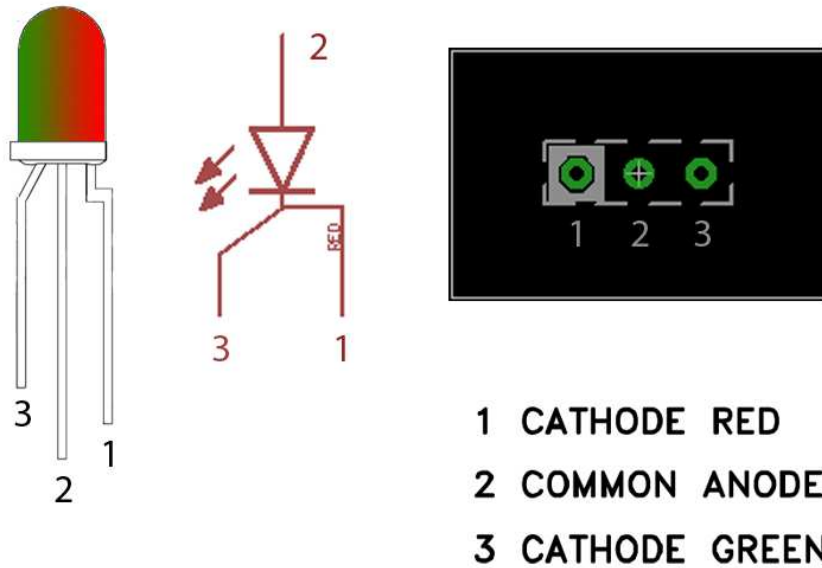
Printing at 300dpi will assist you in your enclosure layout.



R1	1M	C1	220n	63V
R2	1M	C2	220n	63V
R3	100k			
R4	3k3	IC1	TL071	
		D1	CA Bi-colour LED	

STATUS LED

D1 is a common anode bi-colour LED



The diagram above shows the pin-out, schematic symbol and pad connection for a common anode LED.

The pin-out for the bi-colour LED is as follows:

1st Colour Cathode 90 degree bend in the lead
Common Anode Middle lead
2nd Colour Cathode 45 degree bend in the lead

The pad for lead 1 on the circuit board is marked with a white box.

When connected correctly the LED will light red when power is applied and the circuit is in bypass mode. The LED will light green when in effects mode.

If you wish to use a standard LED, connect the anode to the middle pad and the cathode to the right pad to show the circuit in effects mode.

WIRING

