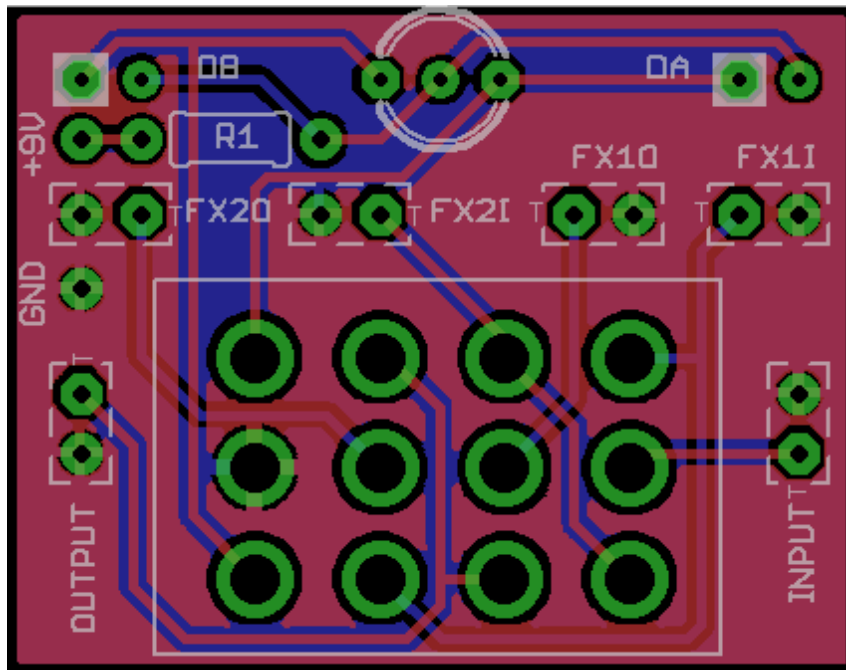


FXCF v1a

The FXCF is a small switching circuit that allows you to change the order of two external circuits.

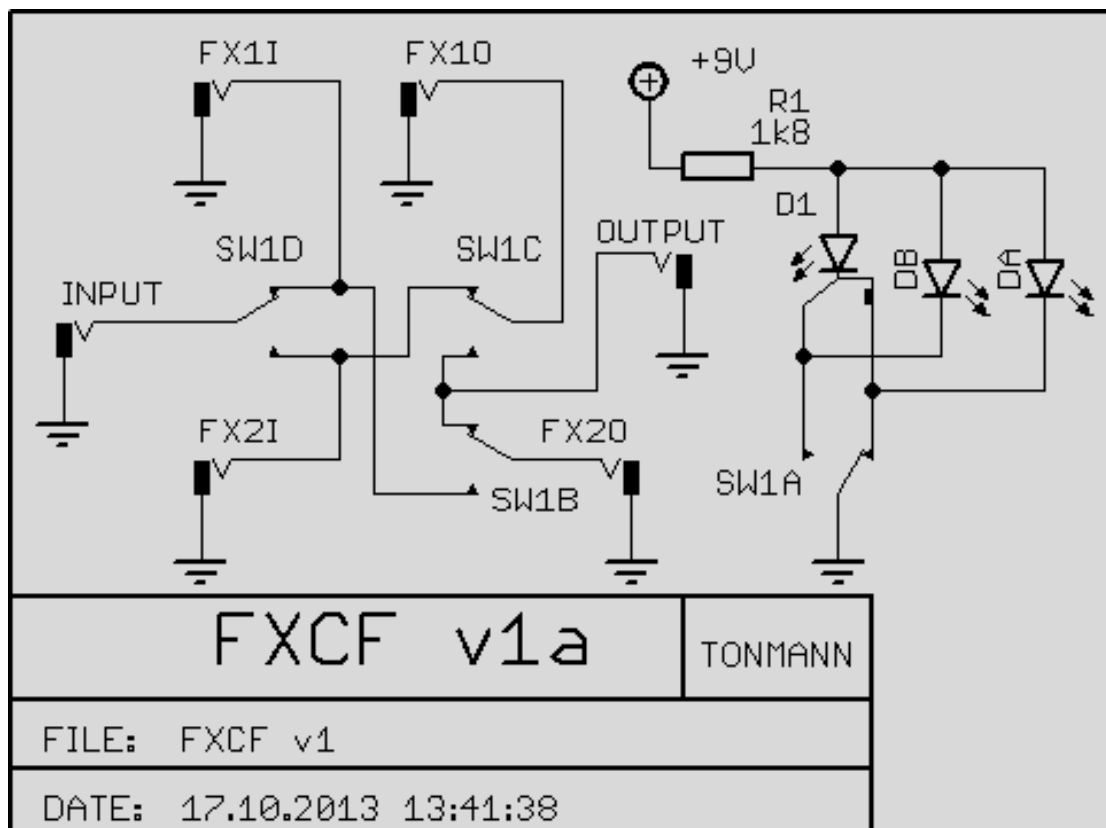
Board Dimensions (W x H) 1.43" x 1.13" ca. 36.2 mm x 28.6mm



The above image can be downloaded from

http://i647.photobucket.com/albums/uu198/tonmann/GuitarPCB%20Boards/FXCFv1aBoard_zps4c435461.png

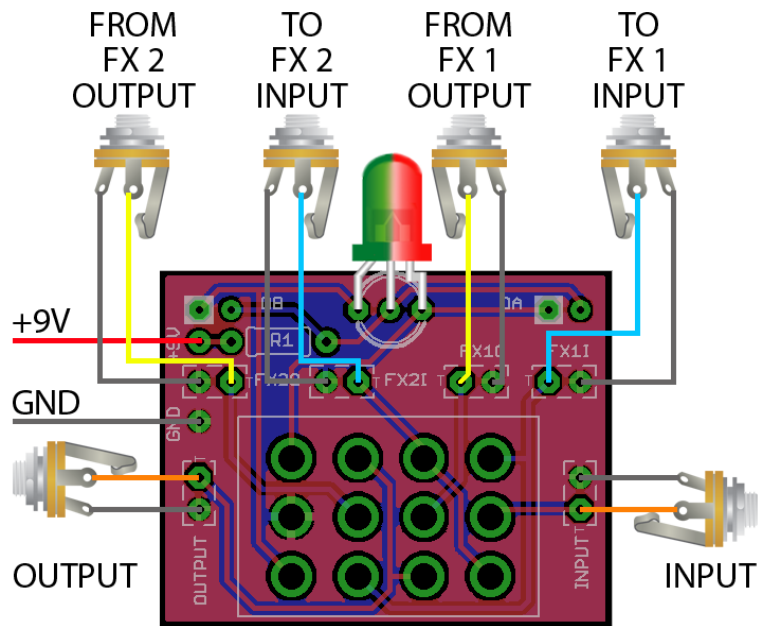
Printing at 300dpi will assist you in your enclosure layout.



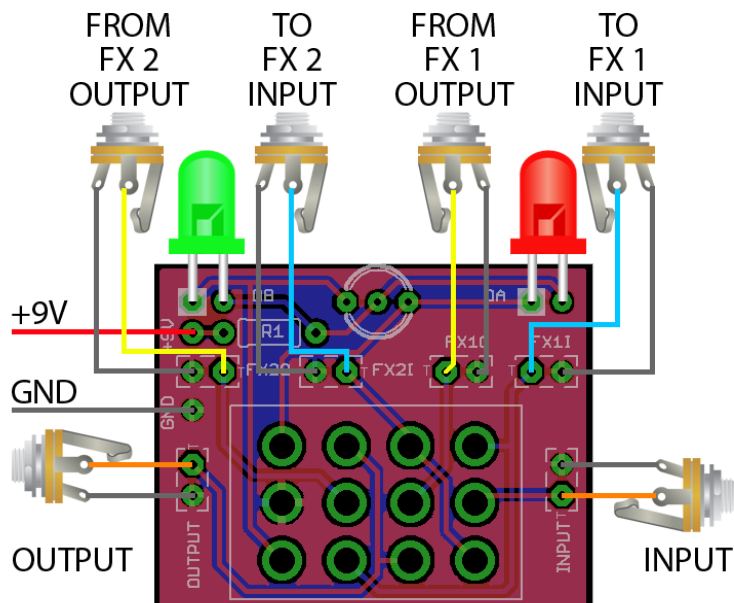
R1	1k8
D1	CA Bi-colour LED*
DA	LED *
DB	LED *
SW1	4PDT Footswitch

*Either D1 or a combination of DA / DB is used for status switching.

WIRING



Using a Common Anode bi-coloured LED as shown above will result in the red LED lighting when the effects order is FX1 – FX 2 and the green LED lighting when the effects order is FX2 – FX1.



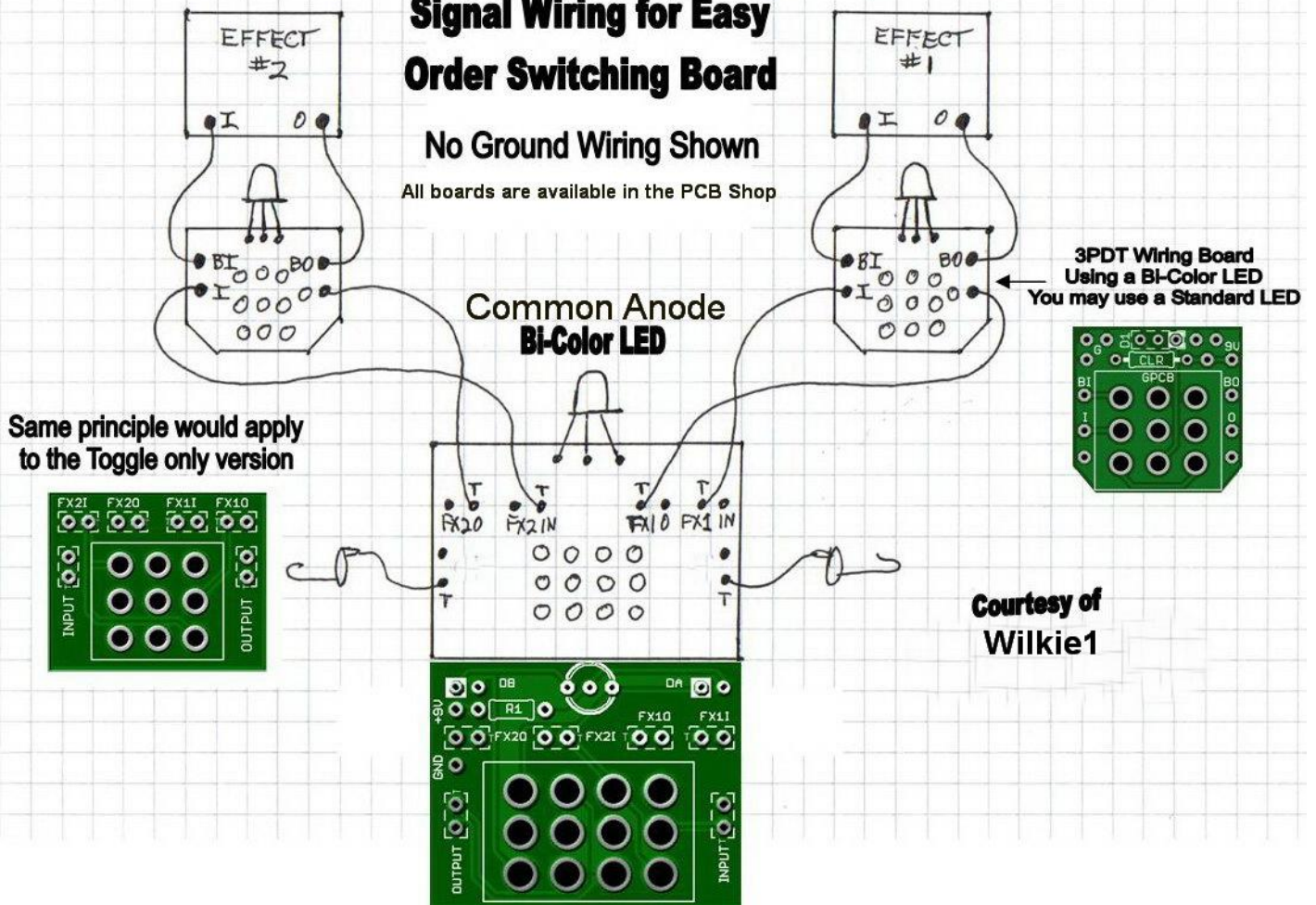
The bi-coloured LED can be replaced with two standard LEDs as above red is FX1 – FX2 and green is FX2 – FX1. Another alternative is to use just a single LED.

GuitarPCB.com

Signal Wiring for Easy Order Switching Board

No Ground Wiring Shown

All boards are available in the PCB Shop



Add-On Build Guides for all GuitarPCB Builds

[Soldering Tutorial on Youtube](#)

[Crash Course \[Basic\]](#) - Guide #1 for all things GuitarPCB. - Basic wiring and other essential topics covered.

[Crash Course \[Level 2\]](#) - Guide #2 for all things GuitarPCB. - Components and more in depth questions answered.

[Tips, Tricks and Tutorials](#) - Many innovative pedal building tips and ideas.

Always look up the [Layout Gallery](#) page for any pedal build to see if there are updates, mod ideas and more.