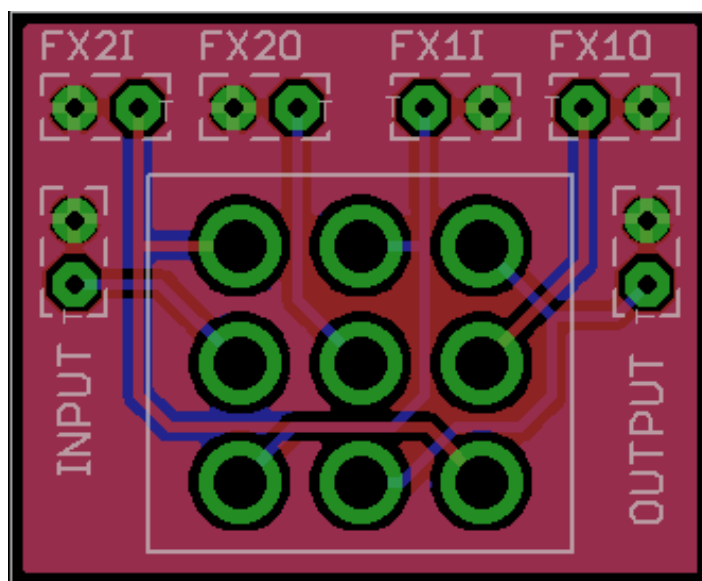


FXCT v1

The FXCT is a small switching circuit that allows you to change the order of two external circuits. Switching is achieved via a 3PDT On-On toggle switch.

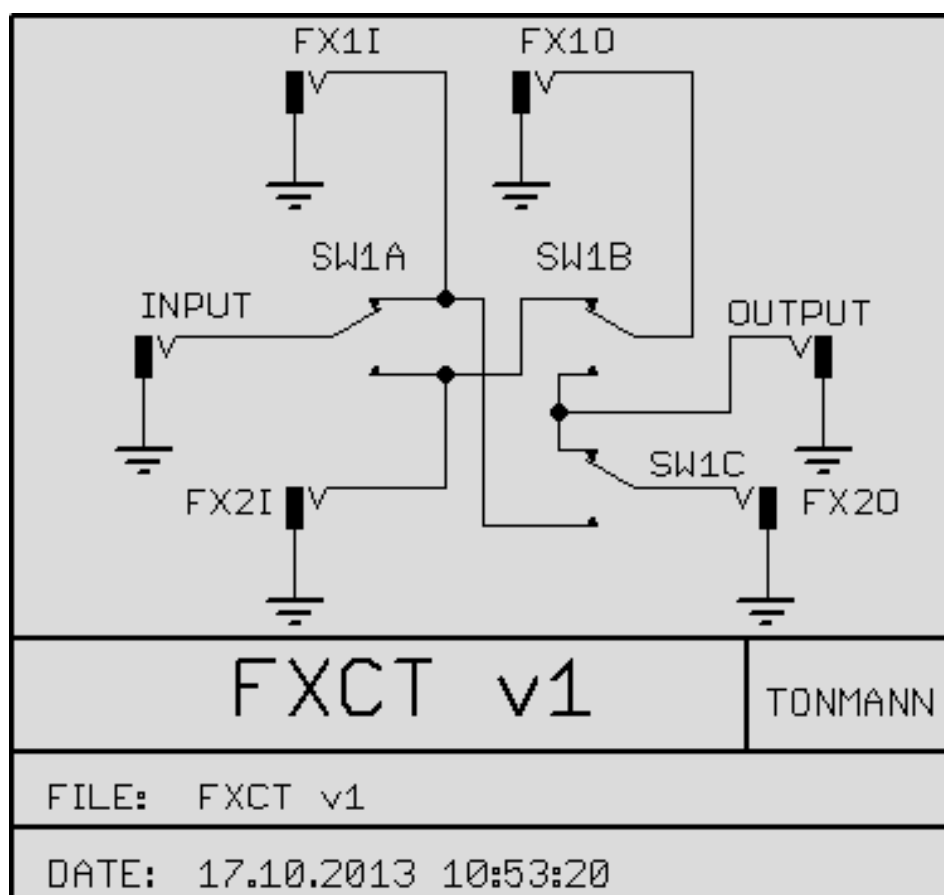
Board Dimensions (W x H) 1.1" x 0.9" ca. 28 mm x 23 mm



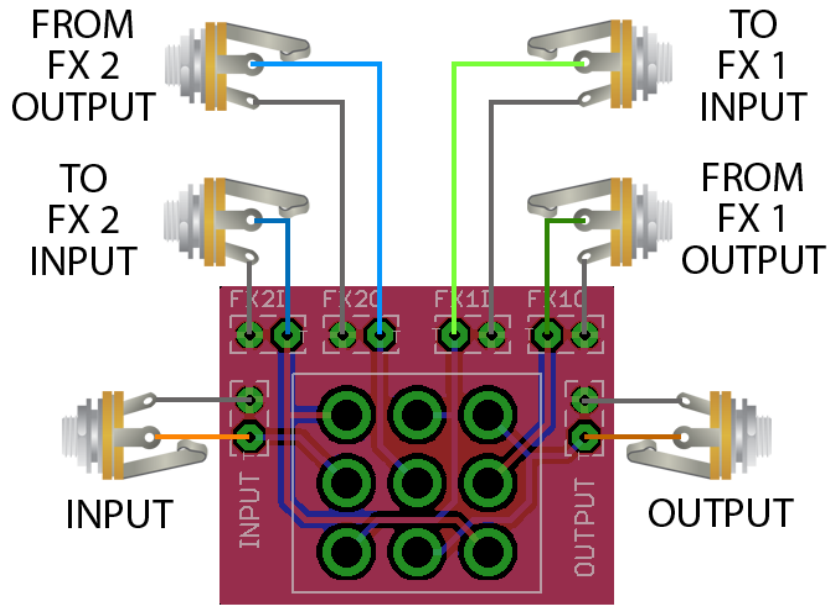
The above image can be downloaded from

http://i647.photobucket.com/albums/uu198/tonmann/GuitarPCB%20Boards/FXCTv1Board_zps7f57fc84.png

Printing at 300dpi will assist you in your enclosure layout.



WIRING



When the 3PDT On-On toggle switch is in the UP position (looking at the top side of the board) the effects order is FX 1 →FX2, in the DOWN position it is FX2 →FX1.

GuitarPCB.com

Signal Wiring for Easy Order Switching Board

No Ground Wiring Shown
All boards are available in the PCB Shop

EFFECT #2

EFFECT #1

Common Anode Bi-Color LED

3PDT Wiring Board Using a Bi-Color LED
You may use a Standard LED

Same principle would apply to the Toggle only version

Courtesy of Wilkie1